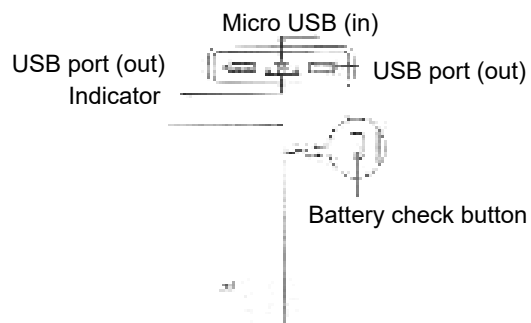


Mi Powerbank 20000

Read the manual before use the device!



Note: the «battery check» button are not intended to turn on / off the device. This battery has the function of automatic detection of charging and discharging, so there is no need to constantly press the charge check button. In two minutes before the discharge, the amount of power LEDs are switched off.

1. Features

Safety: Portable Mi battery has a different degrees of protection; whether charged or discharged, it is in standby mode. The battery can easily pass a charge, over-discharge the batteries, high temperature, circuit, and many other unusual circumstances, and provides reliable protection for your digital portable equipment.

High performance: Extremely fast charging, high current output 5.1V / 2 1A, ultra-high conversion rate (5.1V / 1A conversion factor of more than 93%).

Compatibility: Built-in Smart USB compatible battery provides compatibility with many different devices, especially with Samsung and BlackBerry, which are not compatible with many portable power supplies.

Quality: The battery of the best international companies supplying the first class batteries.

2. About device

Thank you for choosing our products. This device - a portable battery with a high capacity. The device use the best international company supplying batteries with a first class chip. It has special performance metrics: safety, efficiency, compatibility and other aspects.

3. Basic parameters

Model: YDDYP01

Battery Type: Li-ion Battery

Battery Power: 3.6V / 20,000 mAh (TYP)

Operating temperature range: 0C - 45C

Size: 141.9 x 73x 21.8mm

Input voltage: DC 5.0V / 2.0A, 9.0V / 2.0A, 12V / 1.5A

Output voltage: 2 x DC 5.1V / 2.1A (MAX 3.6a)

Charging time: about 7 hours (* 18W charger, standard cable), about 11 hours (* 10W charger, standard cable)

Note:

* 18W charger maintains the output voltage of DC 5.0V / 2.0A, 9.0V / 2.0A, 12V / 1.5A

* 10W charger maintains the output voltage of DC 5.0V / 2.0A

4. Battery

Connect Mi adapter to the power adapter to charge it. During charging, the status indicators show the level of charge as follows:

Power	LED1	LED2	LED3	LED4
0-25%	Blinks	No shines	No shines	No shines
25-50%	Shines	Blinks	No shines	No shines
50-75%	Shines	Shines	Blinks	No shines
75-90%	Shines	Shines	Shines	Blinks
Full charge	Shines	Shines	Shines	Shines
Charge fault	Blinks	Blinks	Blinks	Blinks

5. Charging of other devices

Use a USB cable to connect other digital devices to charge them.

When discharge, the status lights indicate remaining battery level as follows:

Power	LED1	LED2	LED3	LED4
Insufficient voltage	No shines	No shines	No shines	No shines
0-25%	Blinks	No shines	No shines	No shines
25-50%	Blinks	Blinks	No shines	No shines
50-75%	Blinks	Blinks	Blinks	No shines
75-100%	Blinks	Blinks	Blinks	Blinks

6. Warranty

Warranty service is carried out in accordance with the law on «the rights of consumers of China» and «The PRC Law of the products quality.» The warranty service includes:

During the warranty period you have the right to repair, exchange or return an item. For repair, replacement or return of goods you need to present an invoice.

1. Within 7 days from the date of purchase, in case of a problem of «faults list» Xiaomi service center determines the cause of the problem, then you can choose a free replacement, returning or repairing of a product.

2. Within 8-15 days from the date of purchase, in case of a problem of «faults list» Xiaomi service center defines a problem, and then you choose a free replacement or repairing of goods.

3. Within 12 months from the date of purchase, in case of a problem of «faults list» Xiaomi service center defines the problem, then you are get a free repairing.

7. List of Faults

Name	List of faults
Battery	Cracks due to material structure Incorrect display of a battery capacity Battery capacity is less than 80% in case of full charge of a new device Disturbances in the process of charging your Mi smartphone

8. Warranty rejection terms

- The completion of maintenance, fall, neglect, abuse, liquid ingress, accident, breaking, or if the label and marking of device is spoiled;

- The warranty period has expired;

- Damage caused by force majeure;

- Damage that do not meet «faults list» of Xiaomi service center;

- Failure of the device or its components from the «List of faults», which arose in connection with the human factor, and which prevent to a normal operation.

(It's necessary to keep the packaging unit, it may need to service center consultant in case you have to contact them)

9. Notice

This device is equipped with a lithium-ion battery, than it's strictly prohibited to disassemble the enclosure to prevent damage to the battery or other damage.

It is strictly forbidden any dismantling, squeezing, pricking device; also not allowed to put it into water or fire, or expose it to temperatures above 60 ° C.

10. Warning!

1. Before the first use of the battery, charge it fully.
2. When using the battery needed to display digital device caught fire, it will point to the correct operation of the device.
3. To charge this battery, or to charge other devices via the battery, you can choose its own cable.
4. If, during charging of the digital device ceased to burn all LED indicators, which means that in a portable battery charge is not enough. Please charge it more quickly.
5. When you connect a digital device to the battery, it directly uses the charge of the battery.
6. After a full charge the battery, immediately disconnect it from the electricity supply.
7. Due to the short circuit of the battery or for other reasons at the time of the introduction of protection mode (after pressing the «stop work», LED display does not appear), you must use an external charger to continue charging and the battery life will be restored.

Security sticker

Each genuine portable battery 20 000mAh has a safety label on the outside of the package. Please delete the special coating, enter your code on the official website, indicating the authenticity of the goods.

<http://www.chaxun.mi.com>

Production company: «ZMI Technology» Ltd.

Address: g.Jiang Yin, ul. Dengjiangzhong, 159, A913

Presence of toxic and hazardous substances

Name	Presence of toxic and harmful substances					
	Pb	Hg	Cd	CrVI	PBB	PSDE
PCB components	X	0	0	0	0	0
Battery	0	0	0	0	0	0
Outer case	0	0	0	0	0	0
Panel, stickers and other components	0	0	0	0	0	0

0: toxic and harmful substances in all components of the device contained in an amount below the limit value according to SJ / T11363-2006 «requirements limiting the presence of toxic and hazardous substances in products.»

X: indicates the presence of toxic and hazardous substances at least one of the components in this product in excess of the limit value, according to SJ / T11363-2006 «requirements limiting the presence of toxic and hazardous substances in products.»

This product conforms to the European RoHS requirements and regulations for the protection of the environment; international countries still can not replace or reduce the aluminum content in copper alloy. In terms of environmentally sound management stated that under normal operating conditions is not possible leaks of hazardous substances or elements.



<http://xiaomi-mi.com>